

# Modular High Performance Collector

## Models MHP-1, -2, -3

Mist collector designed to filter and reclaim mist generated from machines using oil-base, synthetic, semi-synthetic, or water-soluble coolants.



MHP-3

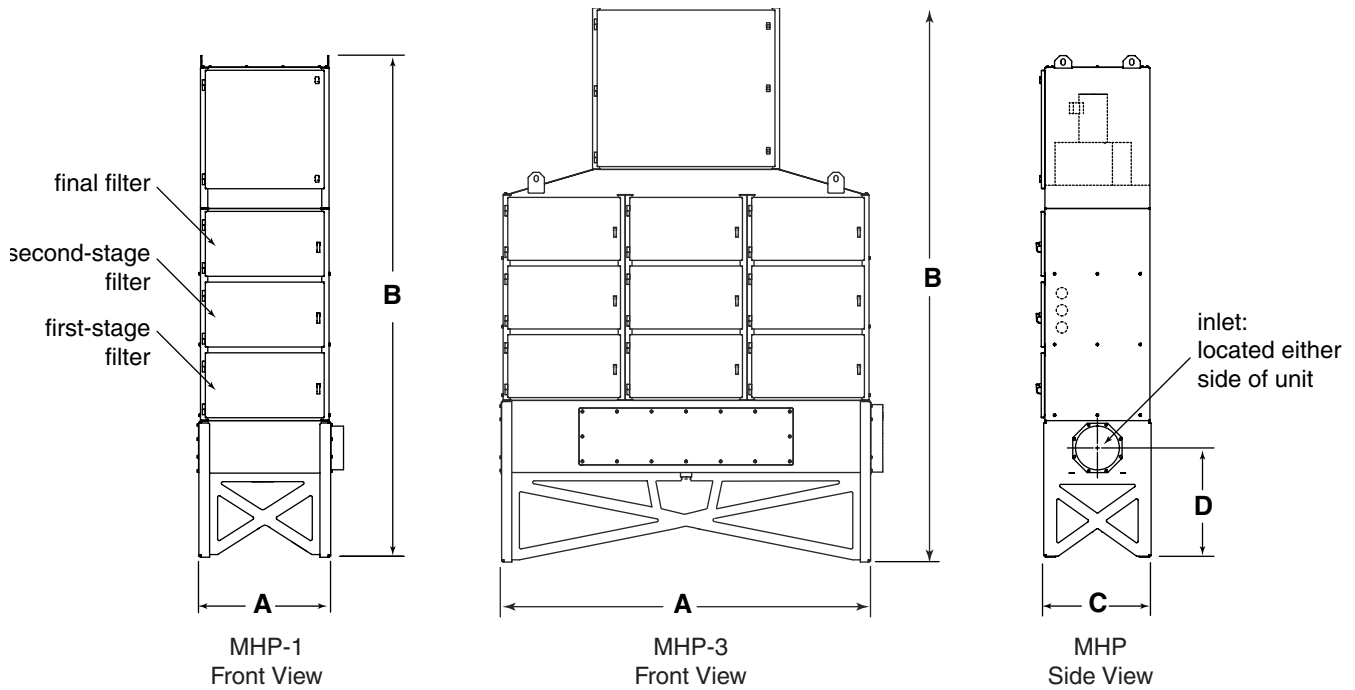


MHP-1

- Three-stage filtration for high filtration efficiency and optimum filter life.
- Handles oil mist and smoke, with small amounts of particulate, in applications from 1000-4000 cfm.
- Standard Minihelic®\* gauges indicate when filter maintenance is required.
- Hinged access doors make filter changeout simple and easy.
- Pleated high-loft fiberglass media continuously drains even under heavy loads and is washable.
- Recirculation of clean air reduces need for costly make-up air.
- Powder coated finish is durable and chemical resistant.
- Optional prefilters available with high efficiency for improved filter life in high-loading and heavier particulate applications.

# Modular High Performance Collector

## Dimensions & Specifications



| Model | Nominal Airflow** (cfm) | Motor (hp) | Inlet Collar (in) | Dimensions (in) |       |      |      | Shipping Weight (lbs) |
|-------|-------------------------|------------|-------------------|-----------------|-------|------|------|-----------------------|
|       |                         |            |                   | A               | B     | C    | D    |                       |
| MHP-1 | 1300                    | 3          | 10                | 30.8            | 117.1 | 25.1 | 25.5 | 790                   |
| MHP-2 | 2600                    | 5          | 14                | 60.8            | 131.4 | 25.1 | 28.8 | 1325                  |
| MHP-3 | 3900                    | 7.5        | 16                | 90.8            | 133.4 | 25.1 | 29.8 | 1800                  |

## Equipment Options

- Prefilters
  - Impinger
  - 4" Multi-Vee
  - First-stage high efficiency filter  
24" x 24" x 4"
- 2" P-Trap
- 2" P-Trap with Y-Strainer assembly
- HEPA or 95% DOP final filter,  
24" x 24" x 11.5"
- Remote-mount Magnehelic®\* gauge
- Sprinkler head

\* Minihelic and Magnehelic are registered trademarks of Dwyer Instruments, Inc.

\*\* Based on clean filters



Donaldson Company, Inc.  
Industrial Air Filtration  
P.O. Box 1299  
Minneapolis, MN 55440  
Tel 800-365-1331(USA)  
Tel 800-343-3639 (within Mexico)  
dustmktg@mail.donaldson.com  
www.donaldson.com

Significantly improve the performance of your collector with genuine Donaldson Torit replacement filters and parts.

**Browse our catalog at [www.donaldson.com](http://www.donaldson.com)**

Information in this document is subject to change without notice.

© 2003 Donaldson Co., Inc.  
Printed in U.S.A. on recycled paper

Data Sheet Modular High Performance (08/07)

